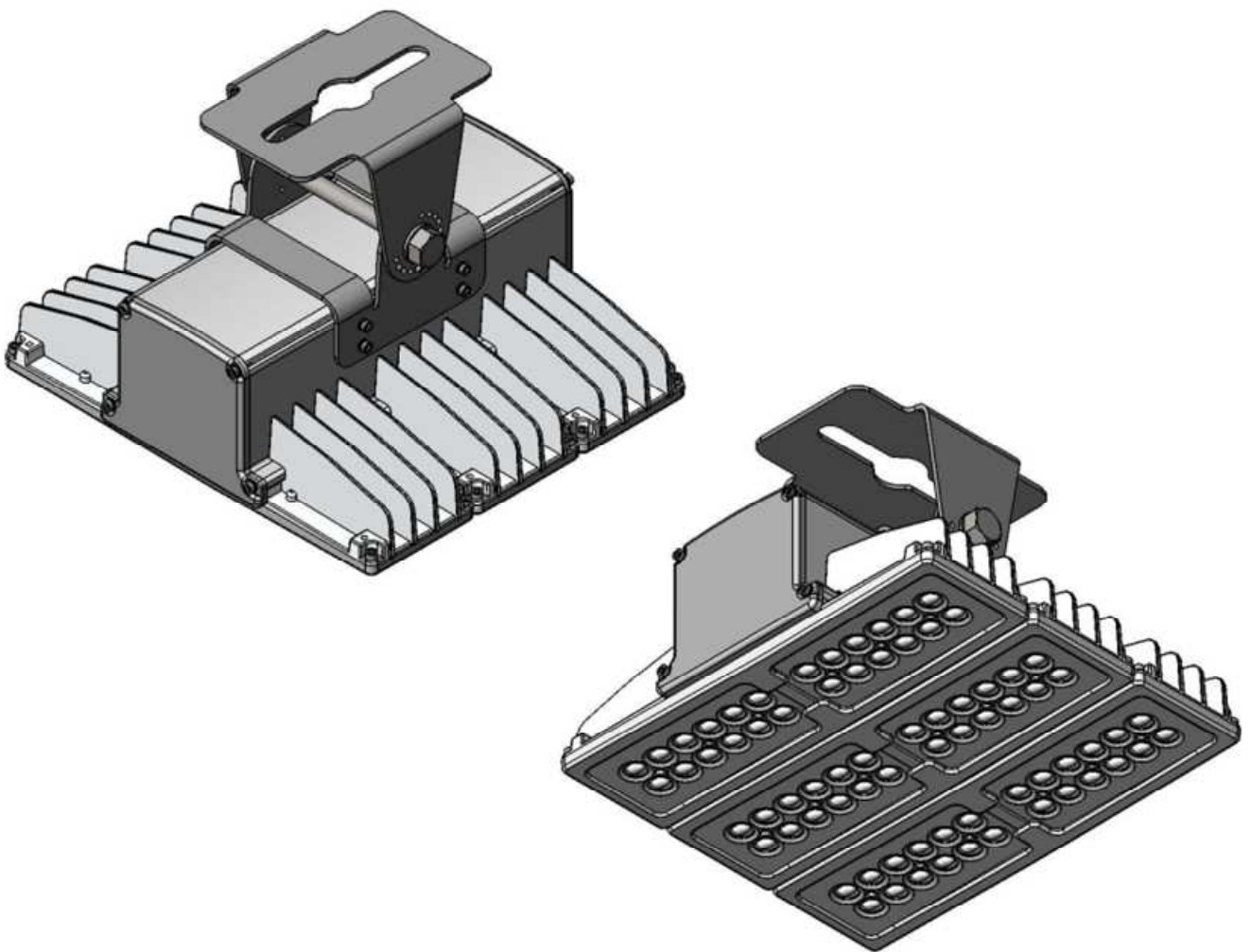


# SPECIFICATION

1/6

## Modularized Tunnel Light / High Bay (3 Modules) DATASHEET



Alliance Optotek Corp.

No.5,Lane 191,Chung-Ho St.,Chupei City Hsinchu 30267,Taiwan

Tel : 889-3-5551100 Fax : 886-3-5555050

<http://www.aoptk.com/>

# SPECIFICATION

2/6

## 1. Applications:

**1.1 Area:** Outdoor / Indoor

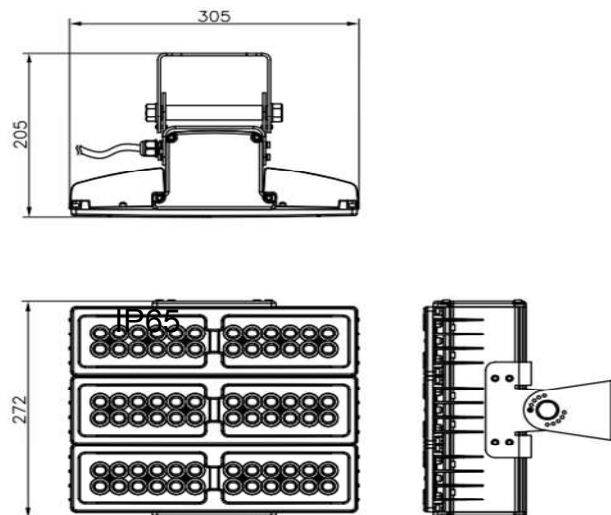
**1.2 Purpose:** Tunnel lighting, High courtyard lighting, Gas station lighting, Warehouse lighting.

**1.3 Feature:**

- The Product is clustered with 3 Optoblk.
- The Product can directly use mains supply (100~240 Vac) with its build-in waterproof (IP67) power supply.
- No additional power supply or ballast is required.
- Saving more power.
- Long-lasting illuminant.

## 2. Specification:

**2.1 Outline dimension:** 305x272x 205 mm



**2.2 Fixture material:** Aluminum alloy

**2.3 Weight:** 8.25 kg

**2.4 Water proof gard:** IP65

**2.5 Operation temperature:** -30°C ~ 50°C

**2.6 Storage temperature:** -30°C ~ 80°C

**2.7 Safety certificate:** CE

# SPECIFICATION

3/6

- 2.8 Power input:** 100Vac~240Vac
- 2.9 Light efficiency:** 65 lm/W (6000K), 42 lm/W (3000K)
- 2.10 LEDs:** 72 ea High Power LED
- 2.11 Power consumption:** 120 W

## 3. Optical performance :

| Model number | Total Power | Color temp. | Output Lumens |
|--------------|-------------|-------------|---------------|
| MP-61M53H    | 120W        | 6000K       | 7800 lm       |
| MP-31M53H    | 120W        | 3000K       | 5010 lm       |
| MP-65S53H    | 120W        | 6000K       | 7800 lm       |
| MP-35S53H    | 120W        | 3000K       | 5010 lm       |

| Model Number           | Light Distribution   | Beam Pattern | Beam Angle( $2\theta_{1/2}$ ) |
|------------------------|----------------------|--------------|-------------------------------|
| MP-61M53H<br>MP-31M53H | Symmetric Wide Flood |              | 145° x 73°<br>                |
| MP-65S53H<br>MP-35S53H | Symmetric Wide Flood |              | 120°<br>                      |

# SPECIFICATION

4/6

## 4. Safety warning

- Make sure all specifications are fit before installation.
- Make sure the power is turned off before installation.
- Be ready for all safety measures while working in height.
- Make sure the metal screws have 100% fixed luminaire.
- Check all the product facilities are equipped well and has no safety doubt.

## 5. Installation guide

- 1.Use M14 metal screws to fix the holder of luminaire.
2. Release the screw of shaft , adjust angle of luminaire , and then fix the screw of shaft.
- 3.Correctly connect the power cables of luminaire output and city power.
4. After wires are connected completely, wrap the waterproof tape.

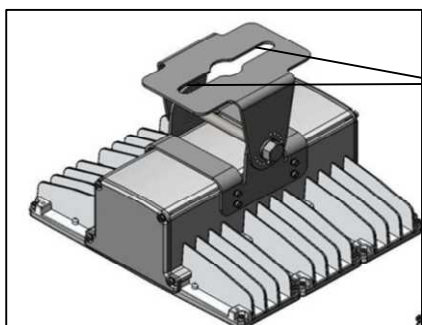


Fig.1  
Fix holder

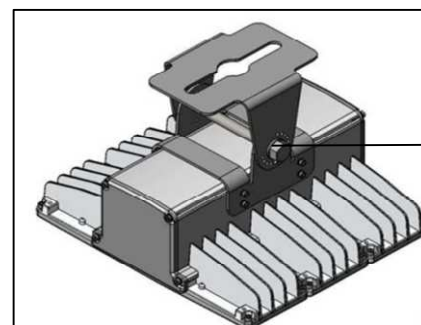


Fig.2  
Release-Adjust-Fix

# SPECIFICATION

5/6

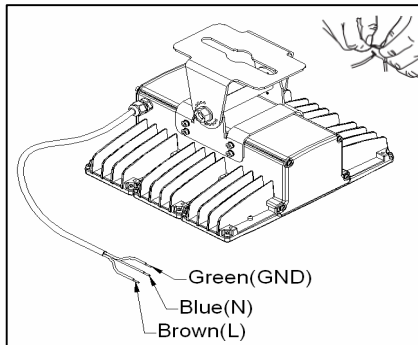


Fig.3  
Connection

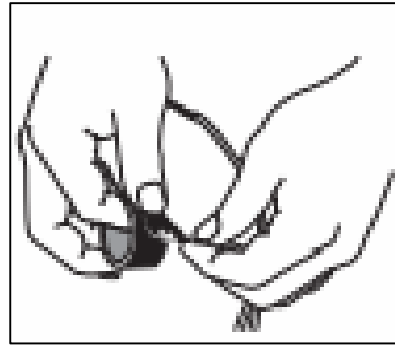


Fig.4  
Wrap waterproof tape

## 6. Operation manual

- Do not supply the voltage ,which is higher than 264 Vac.
- The product is only for IP65 grade, so do not operate it under water.  
Since the water will leak into luminaire, which will damage the LED and driver.

## 7. Packaging information

| Packaging unit<br>Pieces/ Unit | Dimensions in<br>(H x W x L) | Gross weight |
|--------------------------------|------------------------------|--------------|
| Shipping carton box            | 350x 392x 310 (mm)           | 9.5kg        |

# SPECIFICATION

6/6

## 8. Reliability testing:

| Item                                  | Criteria  | Test Result |
|---------------------------------------|---|-------------|
| Thermal Cycle Test                    | -20°C/15min ; 65°C/15min<br>Within 5min, 100cycle | PASS        |
| High Temperature Storage Test         | 80±2°C for 168hrs                                 | PASS        |
| Low Temperature Storage Test          | -30±2°C for 168hrs                                | PASS        |
| Low Temperature start lighten<br>Test | -30±2°C, start lighten                            | PASS        |
| High Temperature /Humidity Test       | 65°C/85%RH<br>for 168hrs                          | PASS        |
| Operating Testing                     | 50±2°C for 168hrs                                 | PASS        |
| ON/OFF Test                           | 15min/ON ; 15min/OFF<br>100 cycle                 | PASS        |
| Waterproof Test                       | IP65 Waterproof Rank                              | PASS        |