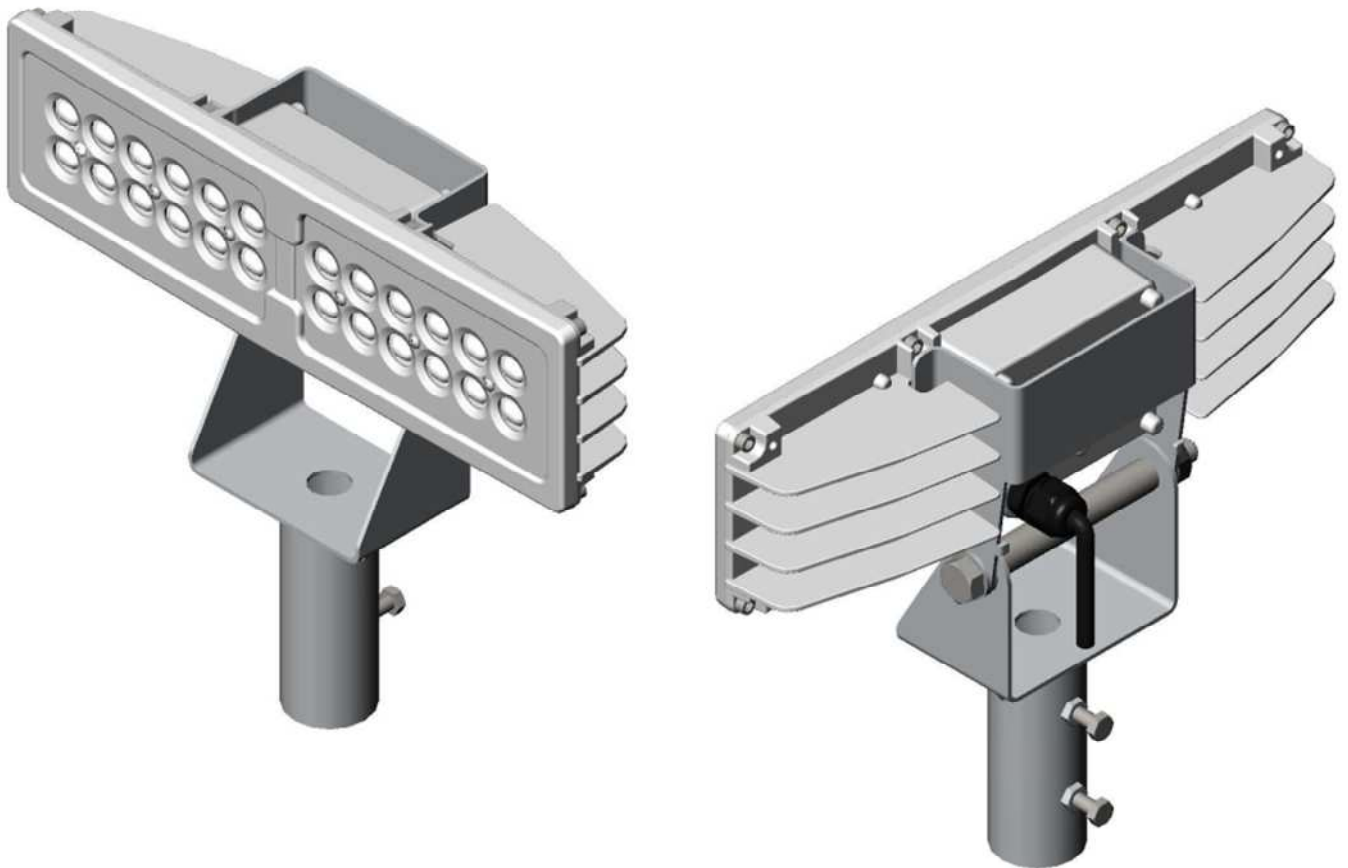


SPECIFICATION

1/6

IP65 Modularized Billboard Light DATA SHEET



Alliance Optotek Corp.

No.5,Lane 191,Chung-Ho St.,Chupei City Hsinchu 30267,Taiwan

Tel : 889-3-5551100 Fax : 886-3-5555050

<http://www.aoptk.com/>

SPECIFICATION

2/6

1. Applications:

1.1 Area: Outdoor / Indoor

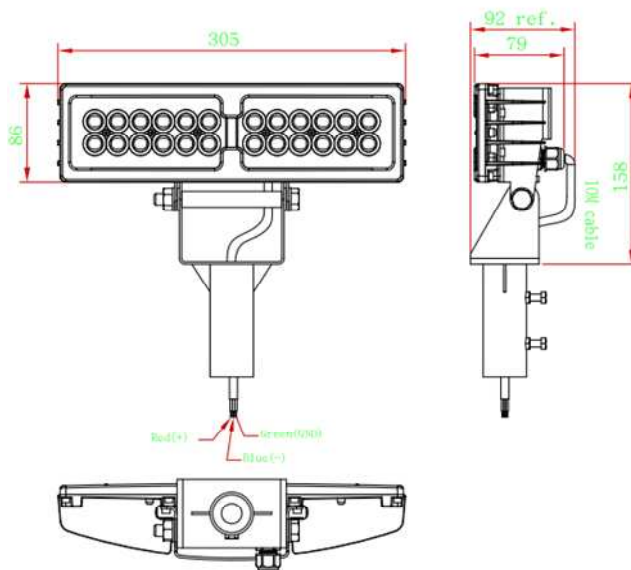
1.2 Purpose: Light for Billboard ,Road sign.

1.3 Feature: The product consists of single Optoblk and special tube holder, making it small and light.

The projecting angle can be flexible adjusted on the holder, and the light can be projected uniformly on the billboard with 145° periscopic optical Optical design.

2. Specification:

2.1 Outline dimension:



2.2 Fixture material: Aluminum alloy

2.3 Weight: 1.56 kg

2.4 Water proof gard: IP65.

2.5 Operation temperature: -30°C ~ 50°C

2.6 Storage temperature: -30°C ~ 80°C

2.7 Safety certificate:

SPECIFICATION

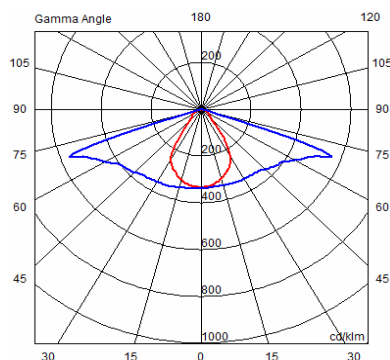
3/6

- 2.8 Power input:** 12Vdc & 24Vdc.
- 2.9 Light efficiency:** 72 lm/W(6000K) , 46lm/W (3000K)
- 2.10 LEDs:** 24ea High Power LED
- 2.11 Power consumption:** 36 W
- 2.12 Beam angle:** 145°x73° /120°

3. Optical performance:

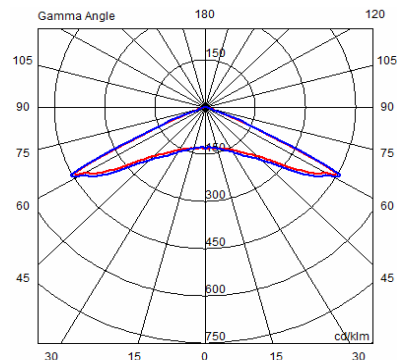
Model number	Total Power	Color temp.	Beam Angle	Output Lumens
MP-61M51E	36W	6000K	145°x73°	2600 lm
MP-65S51E	36W	6000K	120°	2600 lm
MP-31M51E	36W	3000K	145°x73°	1670 lm
MP-35S51E	36W	3000K	120°	1670 lm

MP-61M51E/ MP-31M51E



145°x73°

MP-65S51E / MP-35S51E



120°

SPECIFICATION

4/6

4. Safety warning:

- Make sure the pole size is smaller than luminaire' s hole.
(Hole Size of luminaire:$\phi 33\text{mm}$)
- Make sure the power is turned off before installation.
- Be ready for all safety measures while working in height.
- Make sure the metal screws have 100% fixed luminaire.
- Check all the product facilities are equipped well and has no safety doubt.

5. Installation guide

1. Make the tube of luminaire insert into the pole completely, adjust luminaire to a fit angle, and use metal screws to fix luminaire.
2. Release the screw of shaft , adjust angle of luminaire , and then fix the screw of shaft.
3. Correctly connect the power cables of luminaire output and external power supply (Adapter or Battery).
4. After wires are connected completely, wrap the waterproof tape.

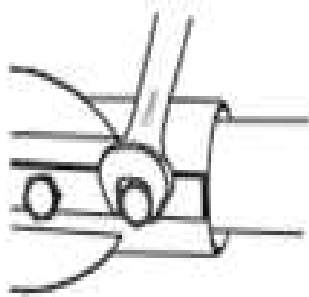


Fig.1
Adjust and Fix

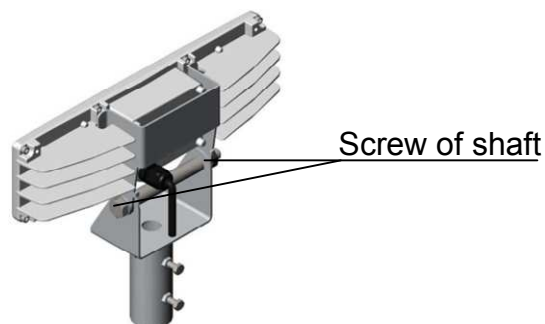


Fig. 2
Release-Adjust-Fix

SPECIFICATION

5/6

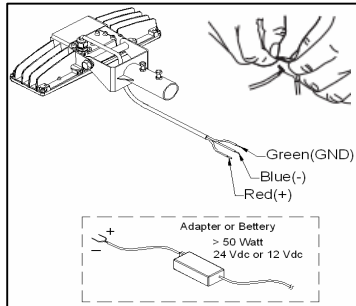


Fig. 3
Connection

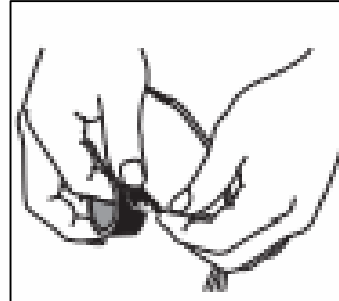


Fig. 4
Wrap waterproof tape

6. Operation manual

- Do not supply the voltage ,which is higher than 24 Vdc.
- Please use with power supply which is over or equal 50 W
- The product is only for IP65 grade, so do not operate it under water.
Since the water will leak into luminaire, which will damage the LED and driver.

7. Packaging information

Packaging unit Pieces/ Unit	Dimensions in (H x W x L)	Gross weight
Shipping carton box (contains 1 Piece)	395X350X172(mm)	3.1kg

SPECIFICATION

6/6

8. Reliability testing:

Item	Criteria	Test Result
Thermal Cycle Test	-20°C/15min ; 65°C/15min Within 5min, 100cycle	PASS
High Temperature Storage Test	80±2°C for 168hrs	PASS
Low Temperature Storage Test	-30±2°C for 168hrs	PASS
Low Temperature start lighten Test	-30±2°C, start lighten	PASS
High Temperature /Humidity Test	65°C/85%RH for 168hrs	PASS
Operating Testing	50±2°C for 168hrs	PASS
ON/OFF Test	15min/ON ; 15min/OFF 100 cycle	PASS
Waterproof Test	IP65 Waterproof Rank	PASS