

# Solid State Lighting Source Series



## PAR30

### ■ Features

Energy Saving (10W)

Color choices (Warm white/Neutral white/Cool white)

Angle choices (40-degree/25-degree)

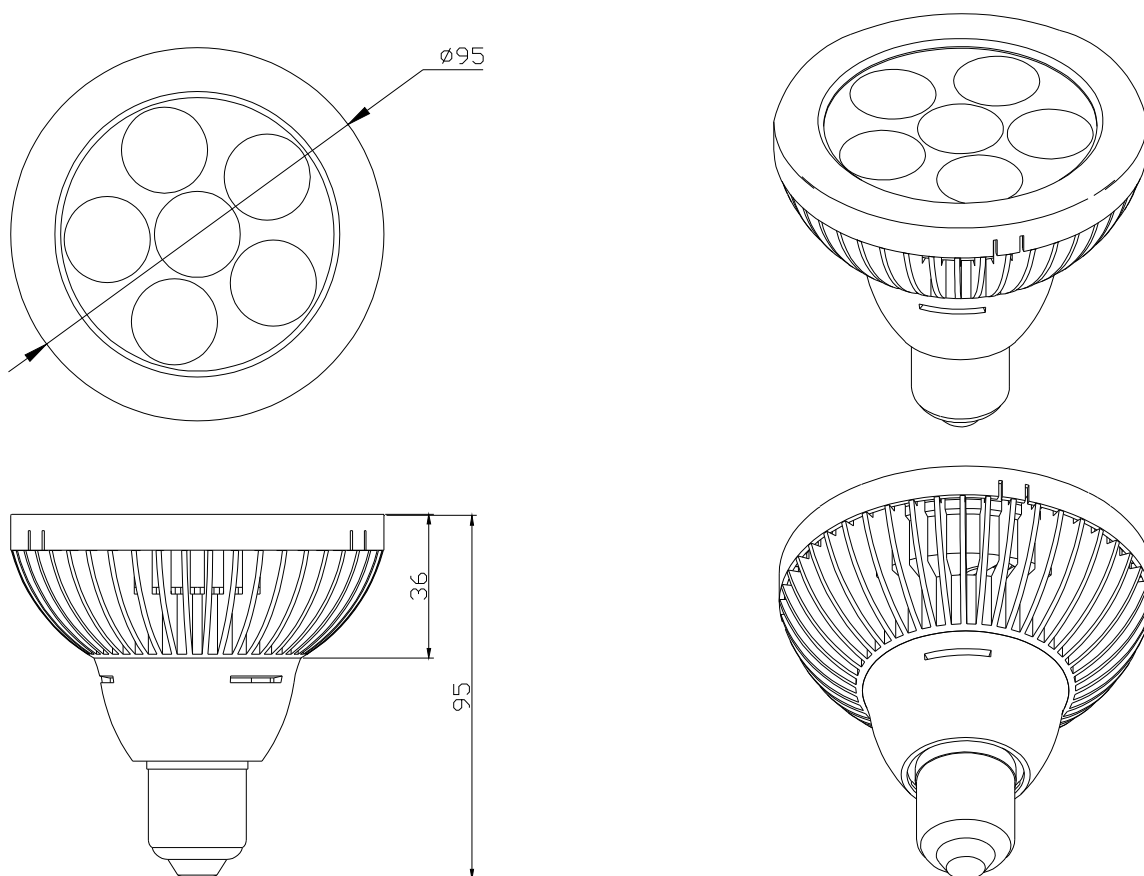
### ■ Contents

Introduction .....	1
Absolute Maximum Ratings .....	1
Lux and Angle .....	3
Light Pattern .....	4
Application Notes .....	5
Package .....	6
Contact Us .....	6

## Introduction

Edison PAR 30 contains 6 Edison Edixeon<sup>®</sup> LEDs, which gives out a total illuminance of 3700 lux. This lamp does not only have a better efficiency and life expectancy, it also has a great light effects. The condense light emitting area allows a more advanced lens design, which gives the lamp a cleaner and better defined light.

## Dimensions



Unit: mm

Tolerance:  $\pm 2.5$  mm

<Figure 1: PAR30 dimension >

**Absolute Maximum Ratings**

< Table 1: PAR30 Absolute Maximum Ratings >

Parameter	Symbol	Rating	Units
LED Junction Temperature	$T_j$	125	°C
Plastic Housing Temperature	$T_C$	80	°C
Operating Temperature	$T_{opr}$	-30 ~ +40	°C
Storage Temperature	$T_{stg}$	-40 ~ +60	°C
AC Input Voltage	V	100~240	V
Equilibrium Temperature	$T_{eq}$	55	°C

**Specifications**

< Table 2: Specifications >

Parameter	
Power Consumption	10 W
Beam Angle	25° / 40°
Color Temperature	3000 / 4000 / 6000 K
CRI	75/ 90
Weight	215±5 g

## Lux and Angle

< Table 3: PAR30 absolute maximum ratings >

Power Consumption	Part Name	CCT	Color	field Angle	Lux*@ 1m (Typ.)
10W	EP30-A2W0-00	6000K	White	25°±2.5°	2850
	EP30-A4W0-00		White	40°±1.5°	1650
	EP30-A2W1-00	6000K	White	25°±2.5°	3700
	EP30-A4W1-00		White	40°±1.5°	1900

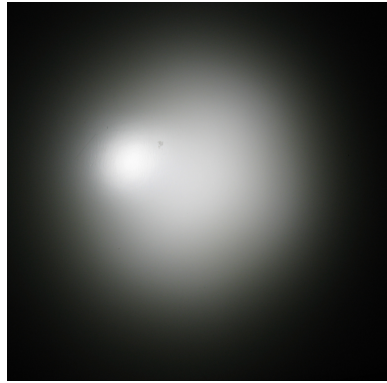
Power Consumption	Part Name	CCT	Color	field Angle	Lux*@ 1m (Typ.)
10W	EP30-A2H0-00	4000K	Neutral White	25°±2.5°	2400
	EP30-A4H0-00		Neutral White	40°±1.5°	1300
	EP30-A2H1-00	4000K	Neutral White	25°±2.5°	2750
	EP30-A4H1-00		Neutral White	40°±1.5°	1650

Power Consumption	Part Name	CCT	Color	field Angle	Lux*@ 1m (Typ.)
10W	EP30-A2X0-00	3000K	Warm White	25°±2.5°	2000
	EP30-A4X0-00		Warm White	40°±1.5°	1000
	EP30-A2X1-00	3000K	Warm White	25°±2.5°	2400
	EP30-A4X1-00		Warm White	40°±1.5°	1400

## Light Pattern



EP30-A4W1-00 ○ 6000K



EP30-A2W1-00 ○ 6000K



EP30-A4H1-00 ● 4000K



EP30-A2H1-00 ● 4000K



EP30-A4X1-00 ● 3000K



EP30-A2X1-00 ● 3000K



<Figure 2: PAR30 light pattern for different color >

## Application Notes

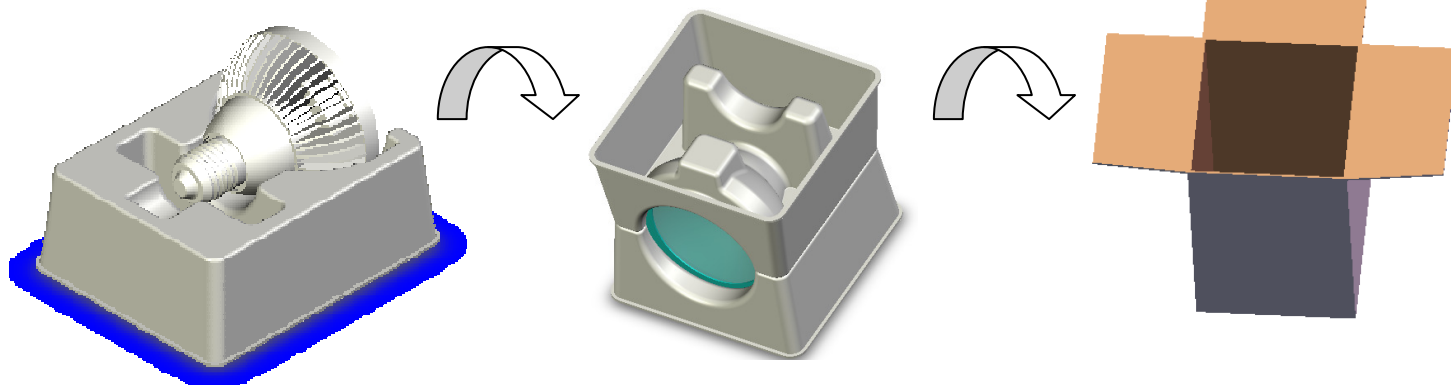
Retail, ceiling fixture, restaurant lobby, hallway, casino, pub, as well as many others accent lighting application.

Various color and angular choices can be suitable for different scenarios.



<Figure 3 : PAR30 application picture >

## Package



12 pcs/box

<Figure 4: PAR30 package >

**Dimension: 520mm(length)\*425mm(width)\*194mm(height)**

## Contact Us

### Edison Opto Corporation

