



Order Code	DKOZ-SEN30-PRLLSW
Overview	Miniature occupancy sensor with light level measurement and optional slave switch connection. Also includes DALI-2 Application Controller to allow advanced control functions. Suitable for DALI and DALI-2 systems.
Features	<ul style="list-style-type: none"> • Occupancy detector and light level (lux) sensor. • A RAPIX DKOZ-DSW30S-Px push button slave switch can be connected. • Connects directly to a DALI line and powered from the line. • DALI-2 Certified, multi-master. • Low current draw from a DALI line. • Compatible with common industry format plate apertures. • The internal Application Controller is optional, and if used: <ul style="list-style-type: none"> ○ Supports small systems, RAPIX Zero-Commissioning, and additional resilience when used in a RAPIX Lighting Control System; ○ Actions for the occupancy sensor and light sensor are configurable. Examples include occupancy mode, vacancy mode, light level maintenance, sunset switch. Fade on, fade off and dwell times are configurable; ○ Actions for the push button switch are configurable. Examples include toggle dimmer, memory dimmer, long press fade, double tap and many other configurations; ○ Powerful enable/disable rules; ○ Support for multiple Zones - being collections of DALI Groups and/or DALI Short Addresses; ○ Supports DALI and RAPIX Scenes.
Typical Applications	Commercial buildings, Boardrooms, Hotels, Health care facilities, Education facilities, Homes, Lighting Manufacturer Linear Extrusions.

DALI System Commissioning

This product is set up using any DALI-2 commissioning software that supports DALI-2 Control Device instance types 1, 3 and 4. For the higher resilience of RAPIX and to use the built-in Application Controller, the free *RAPIX Addressing* or *RAPIX Integrator* software should be used.

DALI-2 Instances

This product has 3 instances:

Instance 0	Type 4 Light Level
Instance 1	Type 3 Occupancy Sensor
Instance 2	Type 1 Push Button

Instance 2 is always present. If no external switch is connected, then instance 2 will not generate events and will read as 'not pressed'.

This product range also supports DALI-2 Type 332 support for indicator control on the optional slave switch. This feature type applies to Push Button Instance 2 only.

Slave Push-Button Switch

A RAPIX DGOZ-DSW30S-Px push button slave modular switch* can be connected to the sensor. The integrated flying lead of this slave switch has a male connector that is plugged into a matching socket on the sensor.



Connection of RAPIX slave switch to sensor.

* The Rotary Slave modular switch DGOZ-DSW30S-RT is not compatible.

RAPIX Zero-Commissioning: Out-of-box Functions

This product supports RAPIX Zero-Commissioning. If there is no setup by DALI-2 or RAPIX Software, then:

- The slave switch allows transmitting DALI Broadcast On/Off/Fade; and
- If desired, the occupancy sensor can be enabled to operate as a 15 minute occupancy function, which transmits DALI broadcast On/Off. When used for this function, the OFF operation of the slave switch allows an exit delay.

Easy-Check

Unprogrammed sensors are easily located: A green indicator behind the lens is illuminated when the occupancy sensor has no setup, and RAPIX Zero-Commissioning has not been activated.






Connections

The sensor has a DALI connection lead which is used to connect directly to the DALI Line.

Mounting Compatibility

Clipsal 30-series apertures, including clips and brackets. Compatible aperture products supplied by Deta, Trader, Voltex and others.

Specifications

Parameter	Specification
Detection range (diameter)	Major motion: 8 m (nominal, for mounting at 2.4 – 2.7 m ceiling height) Minor motion: 4 m (nominal, for mounting at 2.4 – 2.7 m ceiling height)
Light Level Measurement range	0 – 65000 lux
Power source	DALI Line
Compatibility	DALI and DALI-2
DALI Line operating voltage	16 V dc (nominal), operation from 9.5 V – 22.5 V
DALI Line current draw	4 mA
Start-up time	< 1.2 seconds
Mains tolerance	DALI input is mains voltage tolerant
DALI connection	Flying leads to miniature connector (supplied), 120 mm
LED indicators	Identification: Green, under sensor lens
Ambient operating temperature	0 to 50° C
Ambient storage temperature	-10 to 70° C
Humidity	0% to 95% RH non-condensing
Ingress protection	IP20
Materials	Enclosure – UV stabilised flame-retardant polycarbonate, UL 94V-0
Weight	65 g
DALI addresses used	One DALI-2 Control Device Short Address, no Control Gear Short Addresses
DALI Addressing types supported	Short Addresses, Group Addresses, Scenes, Broadcast
RAPIX Application Controller DALI addressing types supported	Control Gear Short Addresses, Group Addresses, Scenes, Broadcast
Additional addressing types	RAPIX Zones, RAPIX Flags, RAPIX Operating Properties
Approvals	    

Standards & Compliance
EMC and Electrical Safety Frameworks and Standards

IEC/EN 55015, AS/NZS CISPR 15, AS CISPR 15
 EN 55032, AS/NZS CISPR32
 EN 55035
 EN 61547
 EN 61347-1, AS/NZS 61347.1, EN 61347-2-11, AS/NZS 61347.2.11
 EN 62368-1

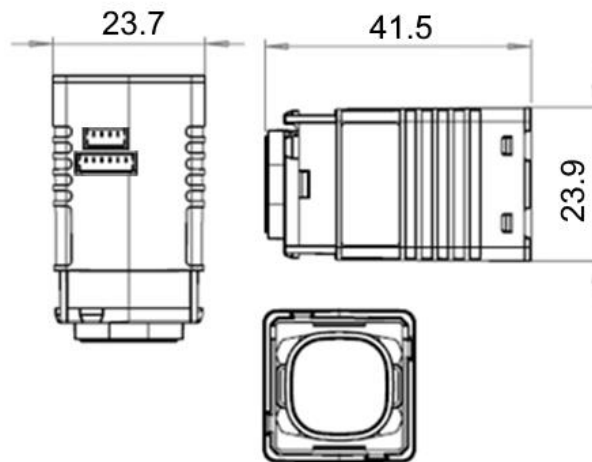
DALI Standards and Compliance

IEC 62386-101 Ed 2 (DALI-2)
 IEC 62386-103 (DALI-2 Control Devices)
 IEC 62386-301, -303, -304 (DALI-2 Instance Types Push Button, Occupancy Sensor, Light Level Sensor)

EC Council Directives

2014/35/EU Low Voltage
 2014/30/EU Electromagnetic Compatibility (EMC)
 2015/863 Restriction of Hazardous Substances (RoHS) in Electrical and Electronic Equipment

Dimensions



Contact Information

Web www.ozuno.com
All Enquiries +61 8 8362 7584 sales@ozuno.com

Ozuno Trading Pty Ltd

ABN: 96 621 194 483
4/115 Payneham Rd
St Peters SA 5069
Australia

This product includes a **TWO-YEAR WARRANTY** against manufacturing defects.

RAPIX is a trademark of Ozuno Holdings Pty Ltd.

DALI and **DALI-2** are trademarks of the Digital Illumination Interface Alliance.

Clipsal, **Deta**, **Trader** and **Voltex** are trademarks of their respective owners.

COPYRIGHT © 2023 This document is copyright by Ozuno Holdings Pty Ltd. Except as permitted under relevant law, no part of this data sheet may be reproduced by any process without written permission of and acknowledgement to Ozuno.

DISCLAIMER. Ozuno Holdings Pty Ltd (Ozuno) reserves the right to alter the specifications, designs or other features of any items and to discontinue any items at any time without notice and without liability. While every effort is made to ensure that all information in this Data Sheet is correct, no warranty of accuracy is given and Ozuno shall not be liable for any error.

TRADEMARKS. The identified trademarks and copyrights are the property of Ozuno Holdings Pty Ltd unless otherwise noted.

13-22-007-001-01 February 2024